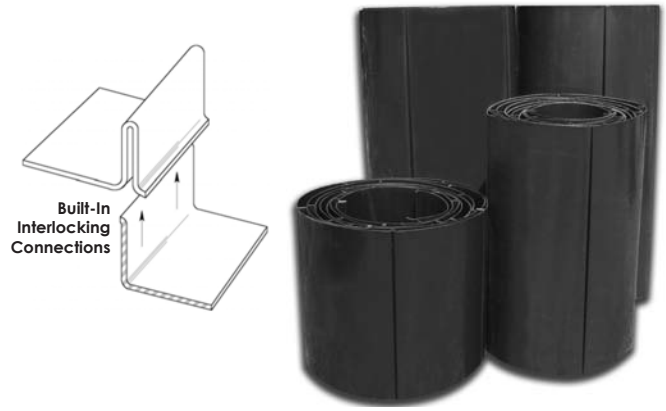


**CR-Series Root Barrier Molded Rolls:**

Manufactured from durable polyethylene or polystyrene material. These Root Barrier Molded Rolls feature molded 90° root deflecting ribs with self-interlocking connection. As well as being a root impervious barrier, the CR-Series barrier molded rolls direct roots downward to prevent costly damage to surrounding hardscapes and landscapes.



**Linear Application:** For root pruning of existing trees or in planting situations where one or more trees are in close proximity to hardscapes.

**-OR-**

**Surround Application:** For new tree planting or when the hardscape encircles the planter

**Features:**

- Flexible Top Safety Edge
- Manufactured with 50% recycled plastic
- Versatile barrier for linear or surround applications
- Molded 90° root deflecting ribs with self-interlocking connection

**SPECIFICATIONS (Polystyrene)**

**CR-Series:** CR12-20, CR18-20, CR24-20, CR36-20.

Molded 90° root deflecting ribs with self interlocking connection.  
**Material:** Polystyrene with ultraviolet inhibitors.  
**Thickness:** .060 mil

<b>MATERIAL</b>	Polystyrene
<b>THICKNESS</b>	.060 mil
<b>TENSILE STRENGTH CHART</b>	
<b>Style</b>	One Piece Roll
<b>Thickness: Wall</b>	.060 mil
<b>Strength</b>	3800 psi
<b>Tensile ASTM D 638 Modulus of Elasticity psi (10')</b>	2.5
<b>Elongation (%)</b>	36%
<b>Flexural Properties ASTM D 790-B</b>	
Strength psi	6500 psi
Modulus Elasticity psi (10')	3.0
<b>Impact Properties ASTM D 256-73</b>	
Izod Foot Pounds	2.0
Gardner Faling Dart inch-pound	70

**SPECIFICATIONS (Polyethylene)**

**CR-Series:** CR12-20, CR18-20, CR24-20, CR36-20.

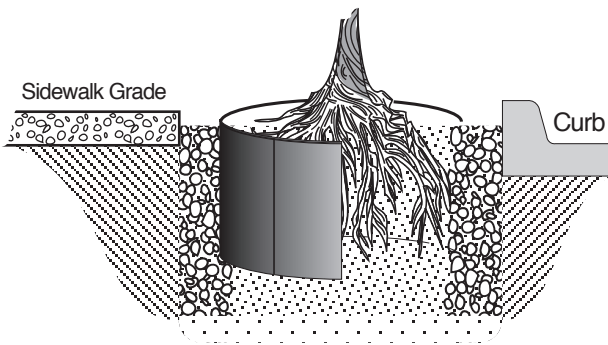
Molded 90° root deflecting ribs with self interlocking connection.  
**Material:** Polyethylene with ultraviolet inhibitors.  
**Thickness:** .030 mil / .040 mil / .060 mil

<b>MATERIAL</b>	Polyethylene	
<b>THICKNESS</b>	.030 mil / .040 mil / .060 mil	
<b>PROPERTIES</b>	<b>ASTM TEST METHOD</b>	<b>VALUE POLYETHYLENE COPOLYMER</b>
<b>Tensile Stress @ Yield</b>	D638	4100 TO 4300 PSI
<b>Elongation @ Break</b>	D638	40%
<b>Tensile Modulus of Elasticity</b>	D638	150,000 PSI
<b>Flexural Stiffness</b>	-	-
<b>Cantilever Beam</b>	D747	125,000 PSI
<b>Tensile Impact</b>	D1822	50Ft. lbs/in <sup>2</sup>
<b>Environmental Stress</b>	-	-
<b>Crack Resistance</b>	D1693	1 Hr.
<b>Hardness, Shore D</b>	D2240	68

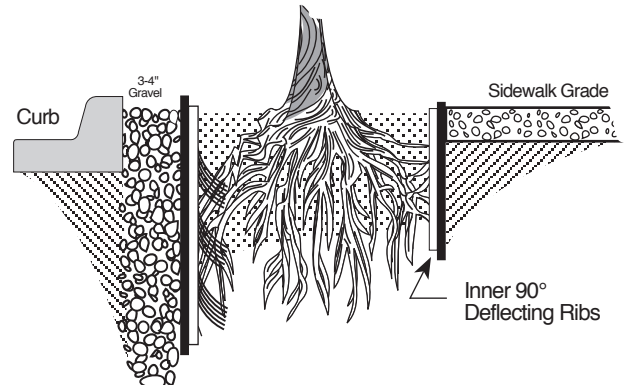
U.S. Standard

For Technical or Field Support, please call: (714) 632-7083

**SURROUND APPLICATION**



**LINEAR APPLICATION**



## CR-SERIES Root Barrier Molded Rolls

The **Century CR-Series Root Barrier Molded Rolls** are manufactured in 20' segments with integrated molded 90° root deflecting ribs that include a flexible top safety edge for pedestrian safety. The barrier is cut to specified lengths and installed in a linear application directly along the hardscape or cut to length needed, to encircle the root ball for surround application. The ends are connected using the self-connecting molded rib. Use glue (for polystyrene) or staples (for polyethylene) to secure connection.

### I. SPECIFICATIONS

- A. The root barrier shall be **CR-Series** manufactured by Century Products, 1144 N. Grove Street, Anaheim, CA 92806, (714) 632-7083 or approved equivalent.
- B. The barriers are black molded root barrier rolls manufactured from 50% recycled polystyrene or polyethylene plastic with ultraviolet inhibitors. Available in .060 mil thickness (polystyrene) and .030, .040, .060 mil thickness (polyethylene).
- C. Barriers available in 20' lengths and various depths as specified. Each roll shall have vertically molded integrated 90° root deflecting ribs protruding 3/4" from wall and placed 6" apart. A root impervious molded self-connecting end provides easy assembly using glue (polyethylene) or staples (polyethylene).

### II. INSTALLATION

- A. Cut desired length of molded roll material and install directly alongside hardscapes for linear planting. Connect the ends to the molded connection using glue (polystyrene) or staples (polyethylene) and install by circling the root ball for surround application.
- B. Vertical 90° root deflecting ribs are always facing the root ball.
- C. Always install the root barriers 2" above the grade to prevent root penetration above the barrier.
- D. Prepare your installation as shown in the illustrations. (Assemble barrier as shown in fig. 1)
- E. Recommended for linear or surround planting applications. For drainage backfill with native soil or (if necessary) while compact soil conditions exist, use gravel or crushed rock. Avoid backfill less than 3/4" or greater than 1 1/2". Finish to grade. Do not distort barrier during installation.
- F. Technical Questions? Call Century Products at 714. 632.7083 for assistance.

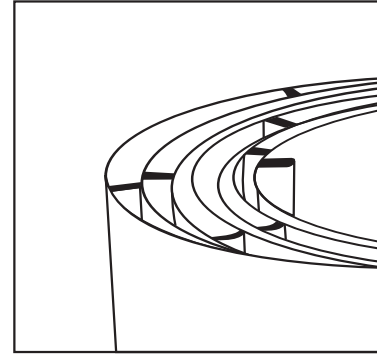


Fig. 1

